



Installation Manual

BLP-950A

INTRODUCTION:

Read through all the instructions before starting the installation.

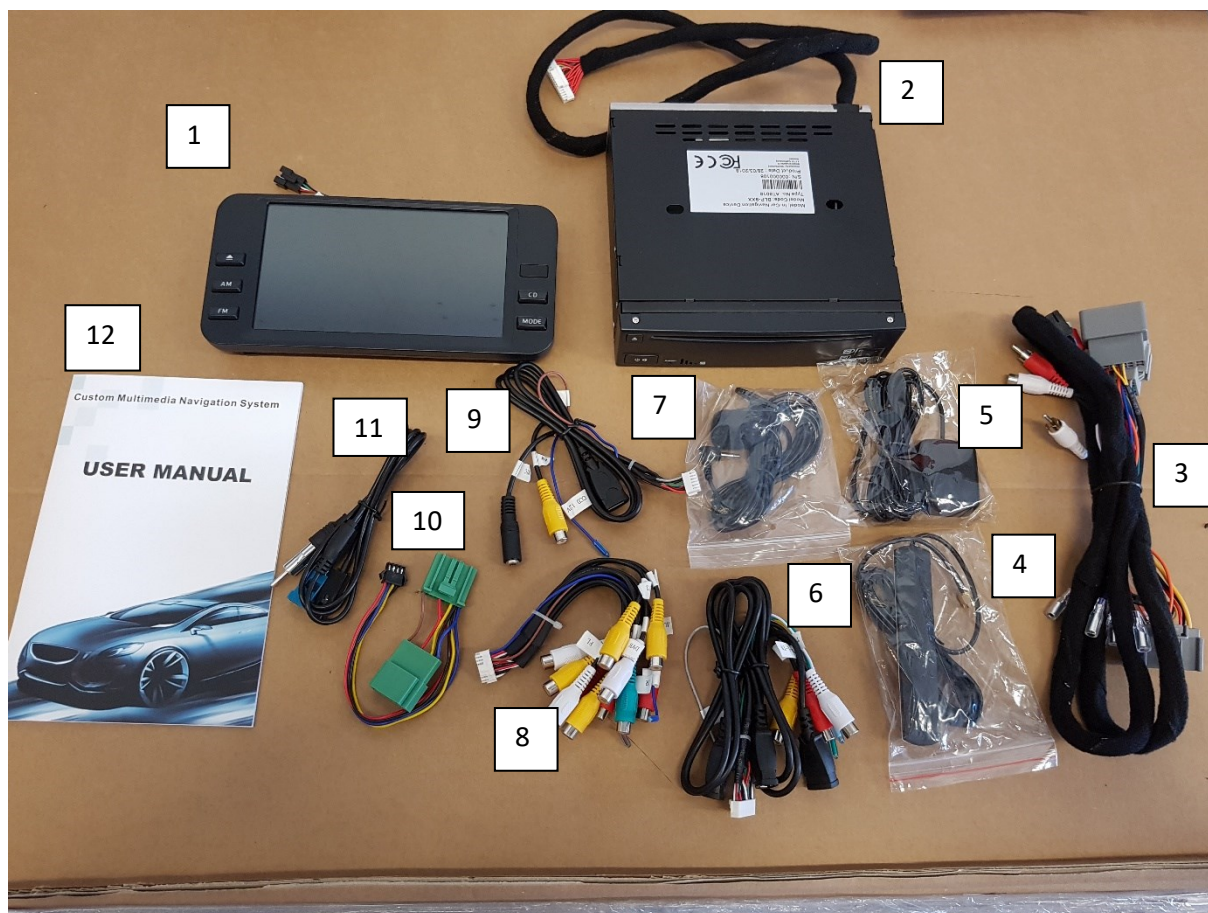
Notifications and warning texts are for your safety and to minimize the risk of something breaking during the installation.

Ensure that all tools stated in the instructions are available to you, before starting the installation.

Certain steps in the instructions are only presented in the form of images.

For High Performance / Premium sound system with AUX input, the BLP-950A will work through your OEM CD player, the OEM CD player must be reinstalled. All original functions will remain functional and the BLP-950A will only operate when you select AUX mode! Female RCA cables from the main harness must be connected with FL/FR RCA cables from the BLP-950A box using male-male adapter (not included)

BLP-950A Package Content:



1. BLP-950A Display
2. BLP-950A Main Unit box
3. Main Harness
4. GPS Antenna
5. WIFI Antenna
6. Accessory Harness (A)
7. Microphone
8. Accessory Harness (B)
9. Accessory Harness (C)
10. CANBUS Harness
11. Radio Antenna Cable
12. User Manual

IMPORTANT! For High Performance / Premium sound you must connect the RCA cables from main harness with the RCA outputs from BLP-950A main unit.

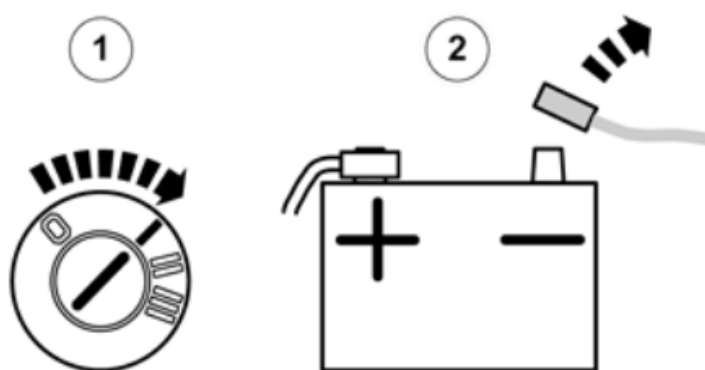
Female RCA cable white and red from main harness are for sound outputs, they must be connected using and male-male adapter with FL,FR from the BLP-950A box. **Sound will not work if these are not connected!**

Male RCA cable white and red from main harness are for the OEM AUX port. They should connect with RCA AUX cables from the BLP-950A box.

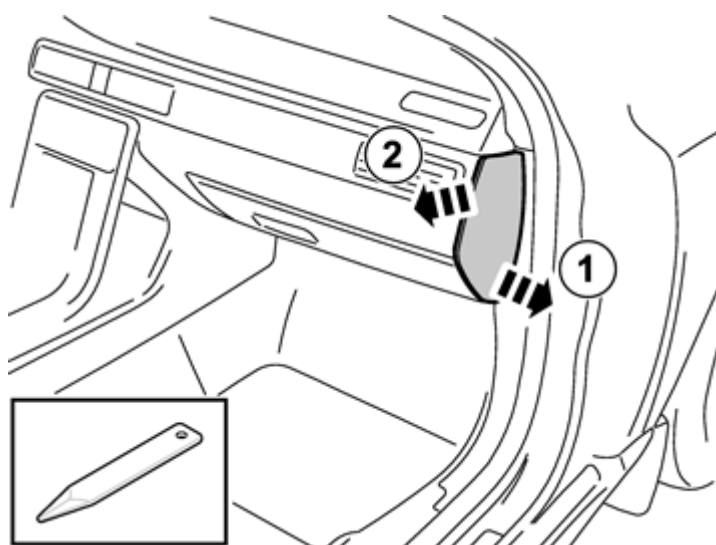
Preparations

Turn the ignition switch to position 0. Disconnect the negative battery lead.

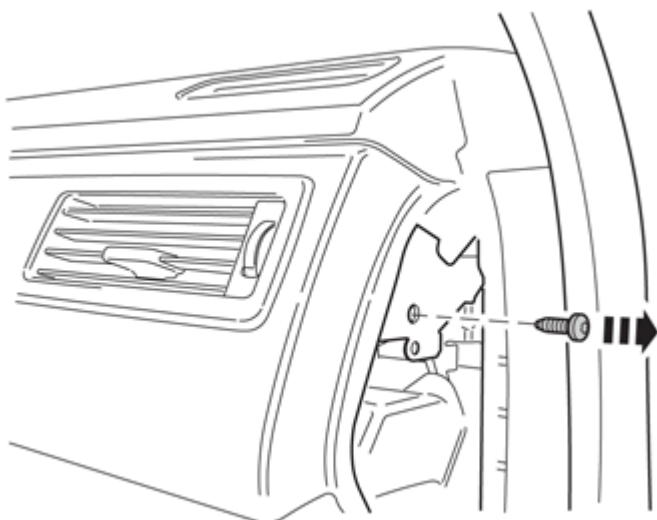
Note! Wait at least five minutes before disassembling the connectors or removing other electrical equipment.



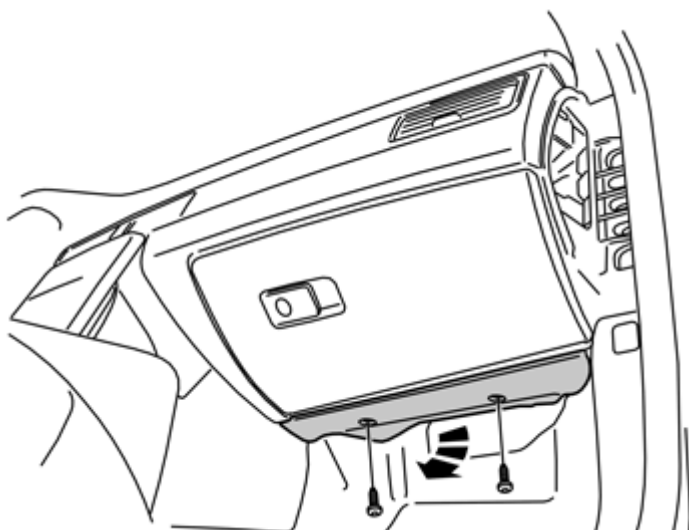
1.



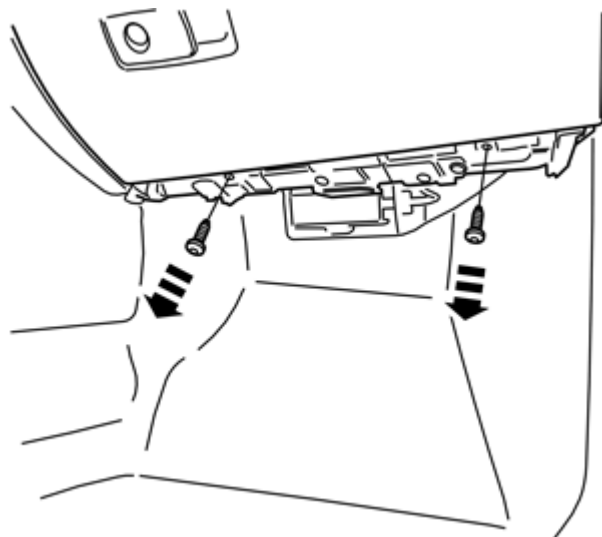
2.



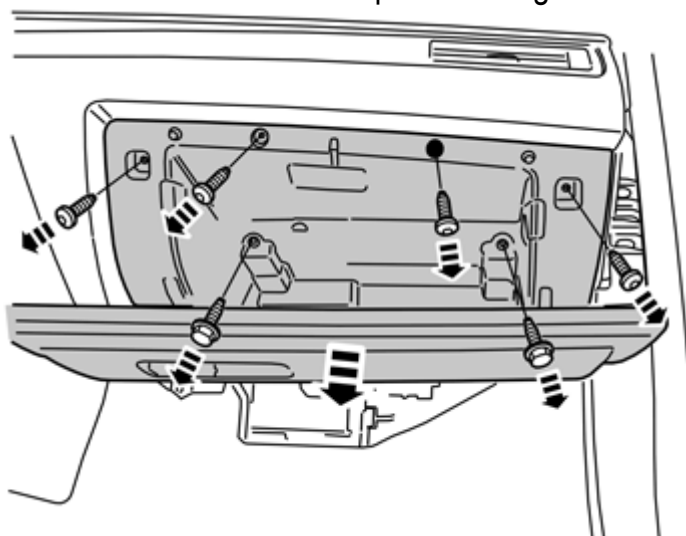
3. Remove the bolts of the panel underneath the glovebox and remove it.



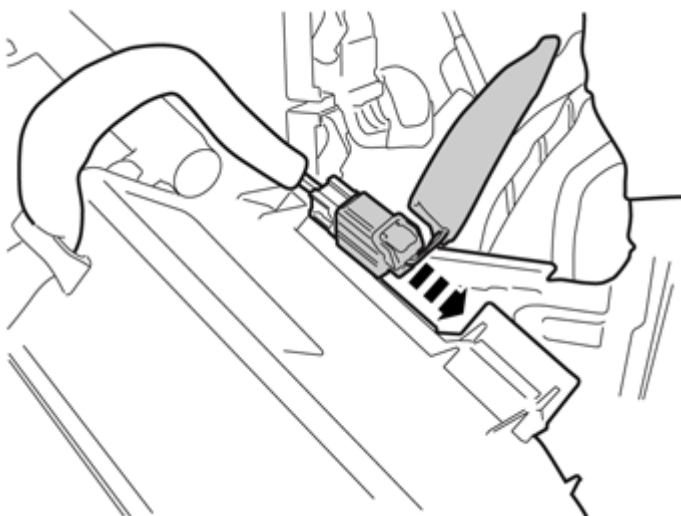
4. Remove the two screws



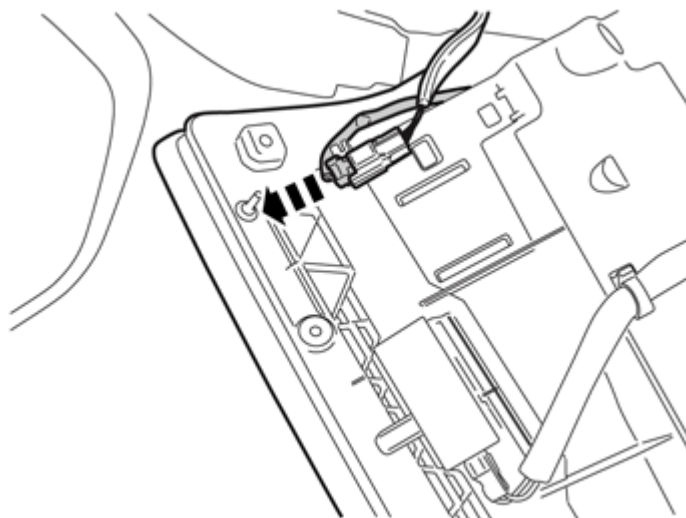
5. Remove the six screws and pull out the glove box in one piece.



6. Disconnect the connector at the rear edge

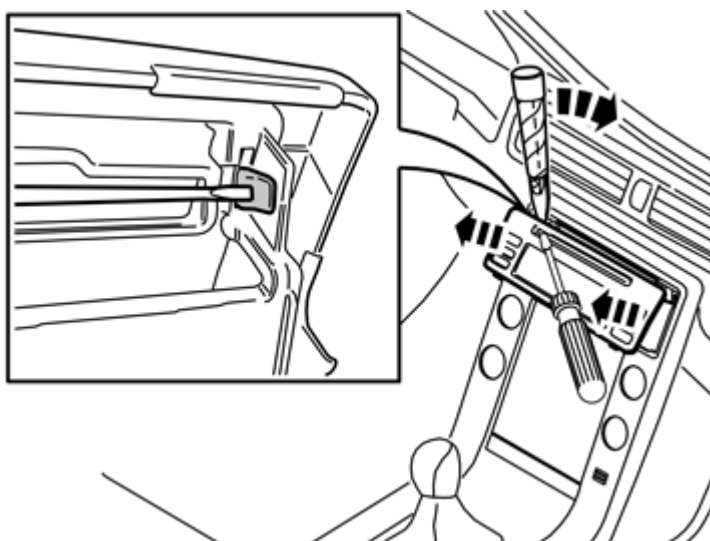


7. Remove the connectors on top and disconnect them. Remove the glovebox

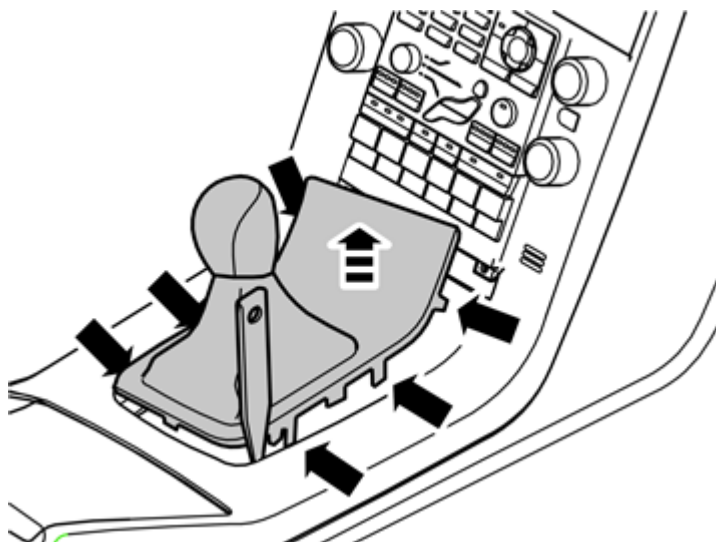


8. Remove the panel around the display and media player. Use a small screwdriver and press in the catch in one of the panel's upper corners. Carefully bend loose the radio panel on the same side with a plastic pry tool. Carry out the same procedure on the other side. Then fold the radio panel backward in the vehicle. Pull up the radio panel until it detaches.

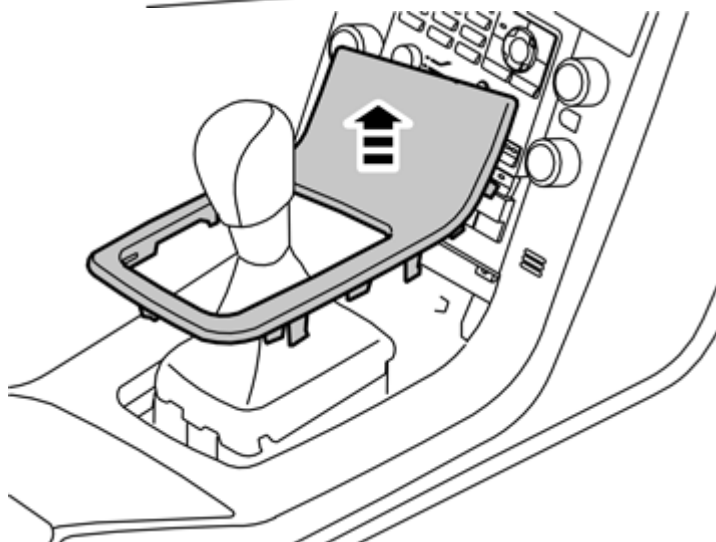
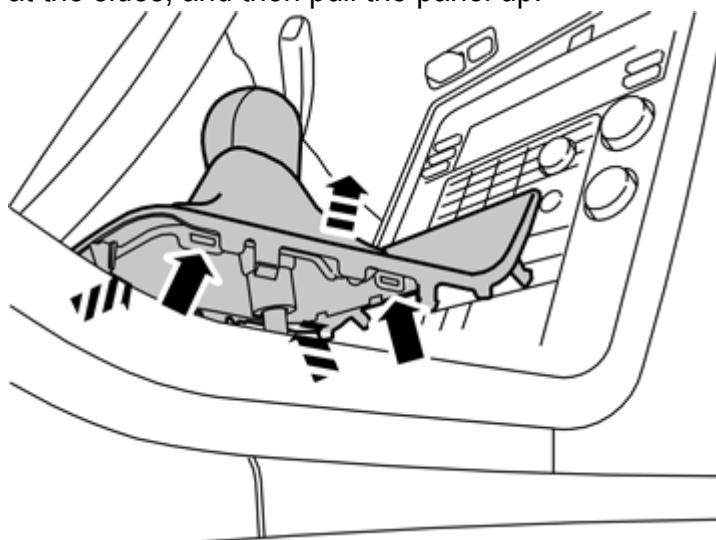
Hint! If there is difficulty removing the panel, press the panel back into place on both sides and start the removal procedure again. Start from the opposite side to before.



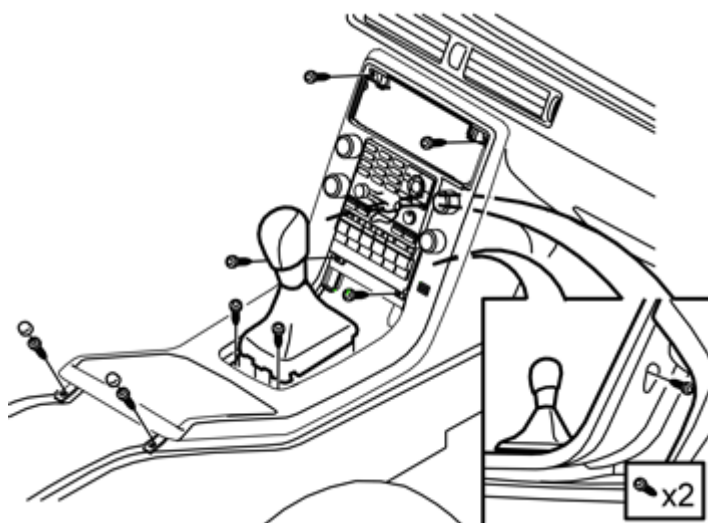
9. Remove the gear lever panel by carefully prizing it away starting at the rear edge and then continuing forward. It is fitted with six catches underneath.



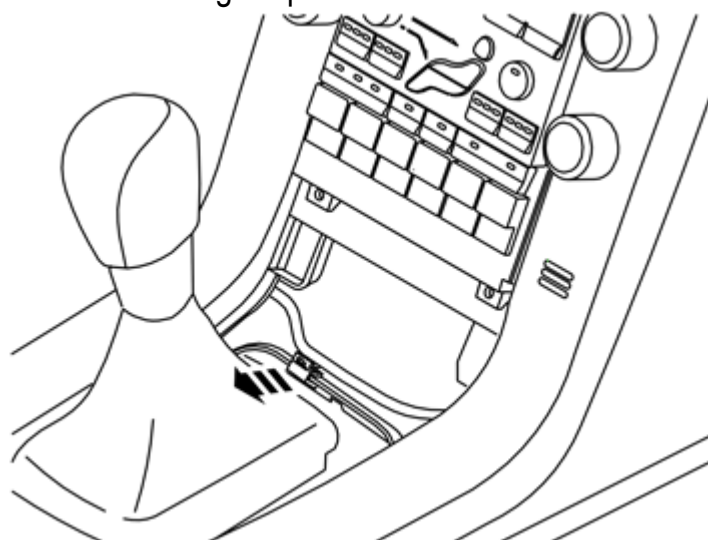
10. Remove the gear lever panel from the gaiter by first pressing in the four catches at the sides, and then pull the panel up.



11. Remove the covers and screws in the rear edge of the upper panel section of the center console, remove the screws on the rear of the panel and then remove the remaining screws on the top, ten in total.

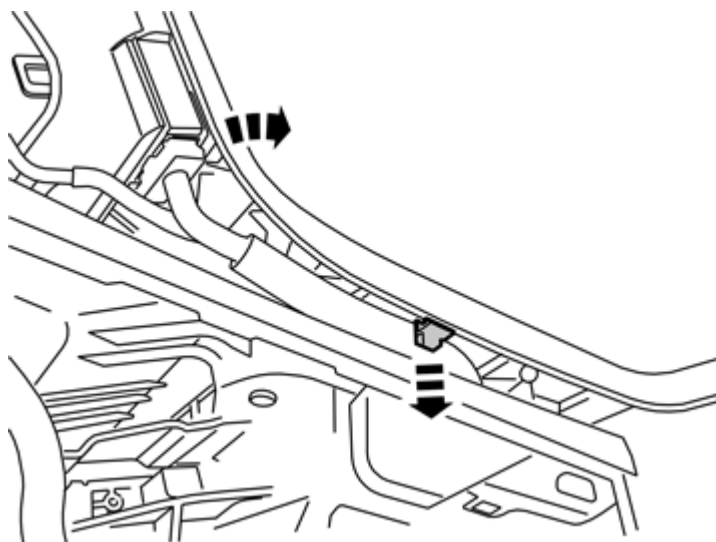


12. Remove the edge clip with cable from the lower section of the center console.

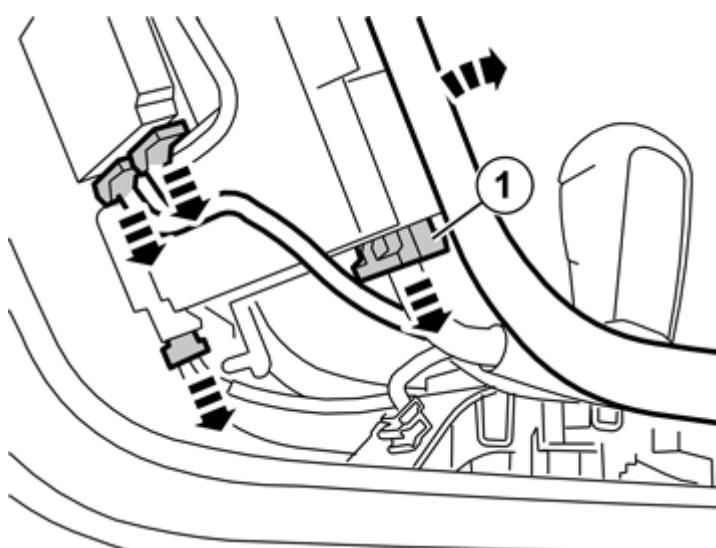


13. Carefully angle up the upper section of the centre console at the front edge so that the edge clip for the large cable harness on the left-hand side of the centre console is accessible. Detach the clip with cable harness from its holder.

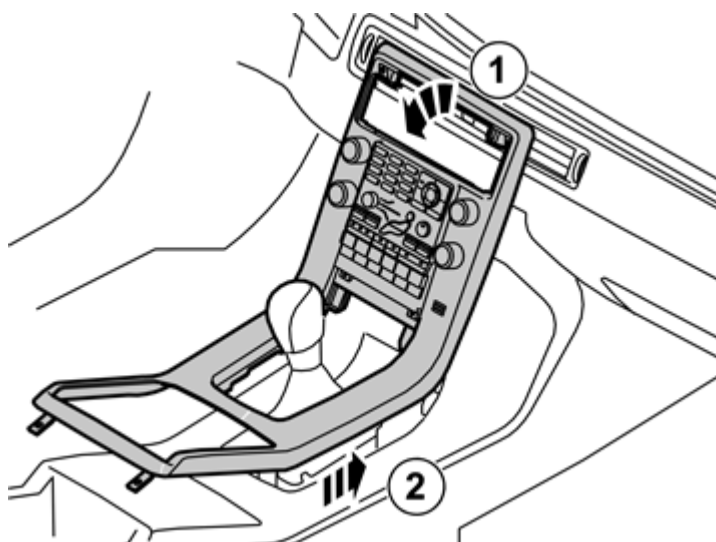
Note! Do not damage the fibre optic cables and other cables.



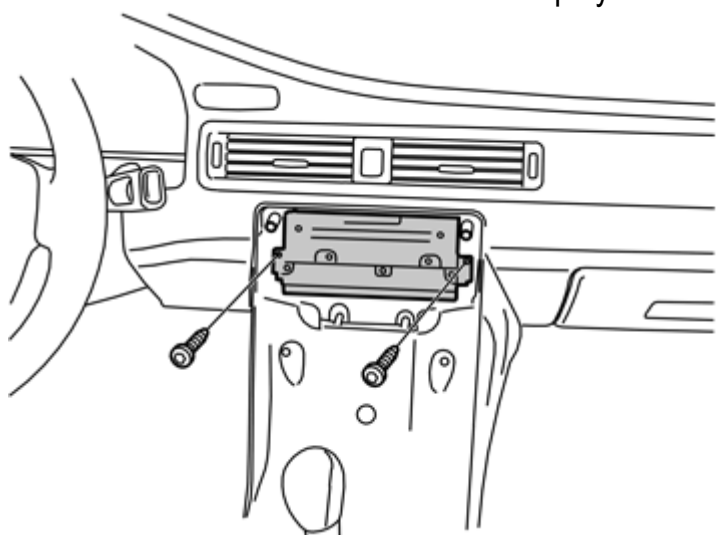
14. Angle the upper section further in order to access the four connectors on the rear of the climate control module (CCM). Unplug the connectors. The connector (1) has a catch on the rear in toward the upper section.



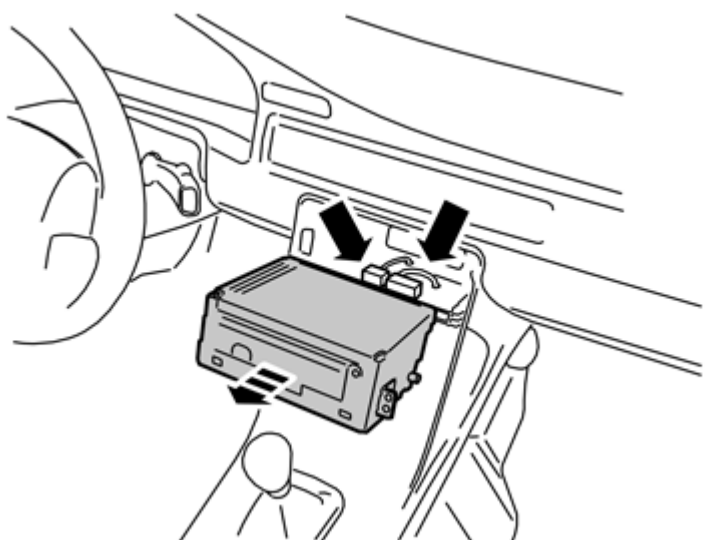
15. Remove the upper section of the panel by moving it backward at the front edge and then lifting it out from the rear edge of the tunnel console.



16. Remove the two screws from the media player.



17. Pull the media player out fully and unplug the connectors on the rear. Place the media player to one side, it shall not be used again.



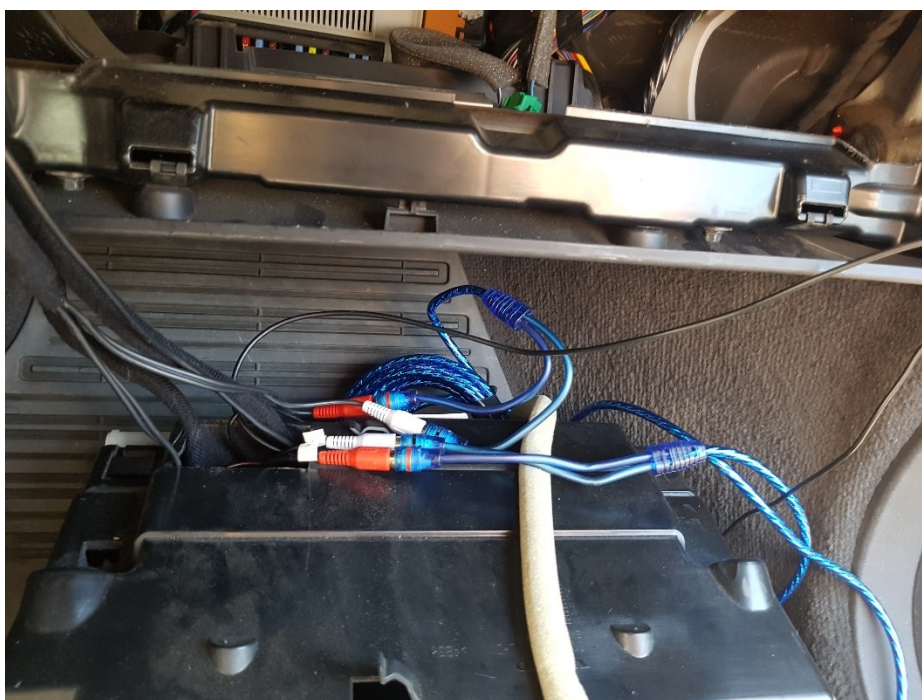
18. Take the glove compartment inner section and cut a small hole with a sharp knife on the upper left corner for the cables.



19. Route all necessary cables out from the hole and install the BLP-950A unit inside the glove compartment inner section. **IMPORTANT! Do not forget to connect the RCA cables from main harness if you have high performance and premium sound! IMPORTANT! FL,FR from BLP-950A main box should be connected with female RCA cables from main harness using male-male adapter, otherwise there will be no sound!**



20. Route the cable from BLP-950A main unit, main harness and radio antenna cable from the glove box compartment to the left behind the center console. Route the GPS antenna, microphone, WiFi antenna and other necessary cables to the right of the glovebox compartment.



21. Route the microphone, GPS antenna and Wifi Antenna through A-pillar, towards the center ceiling panel.

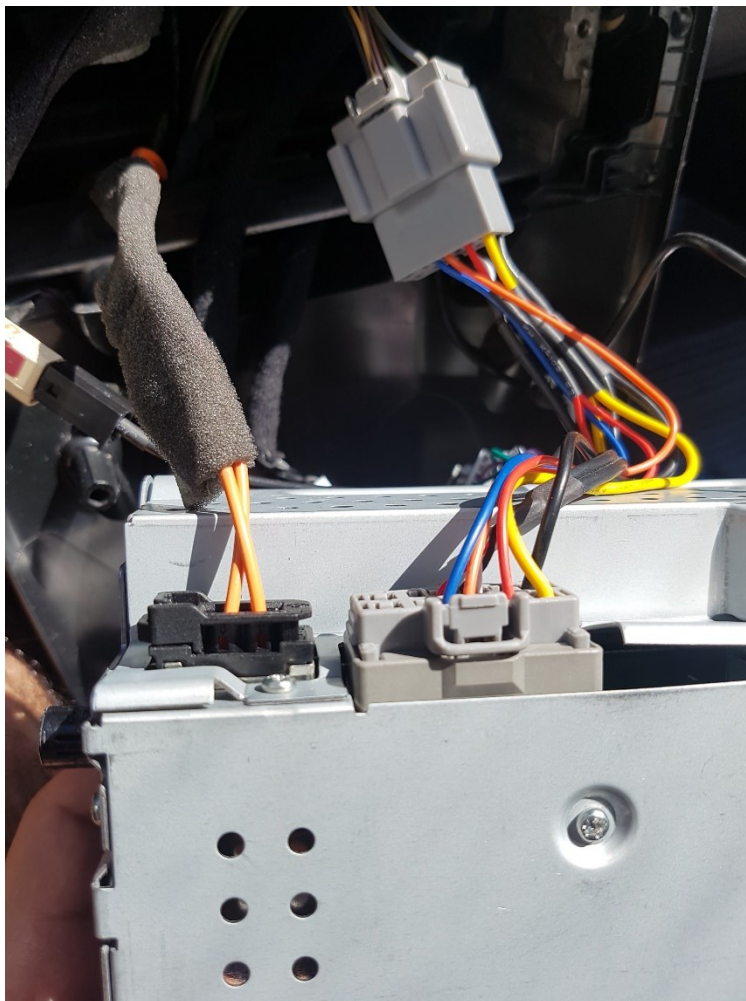


22. Mount the GPS and the WIFI antenna behind the rear mirror and the microphone onto the ceiling panel.
23. Reinstall the glovebox compartment in reverse order.

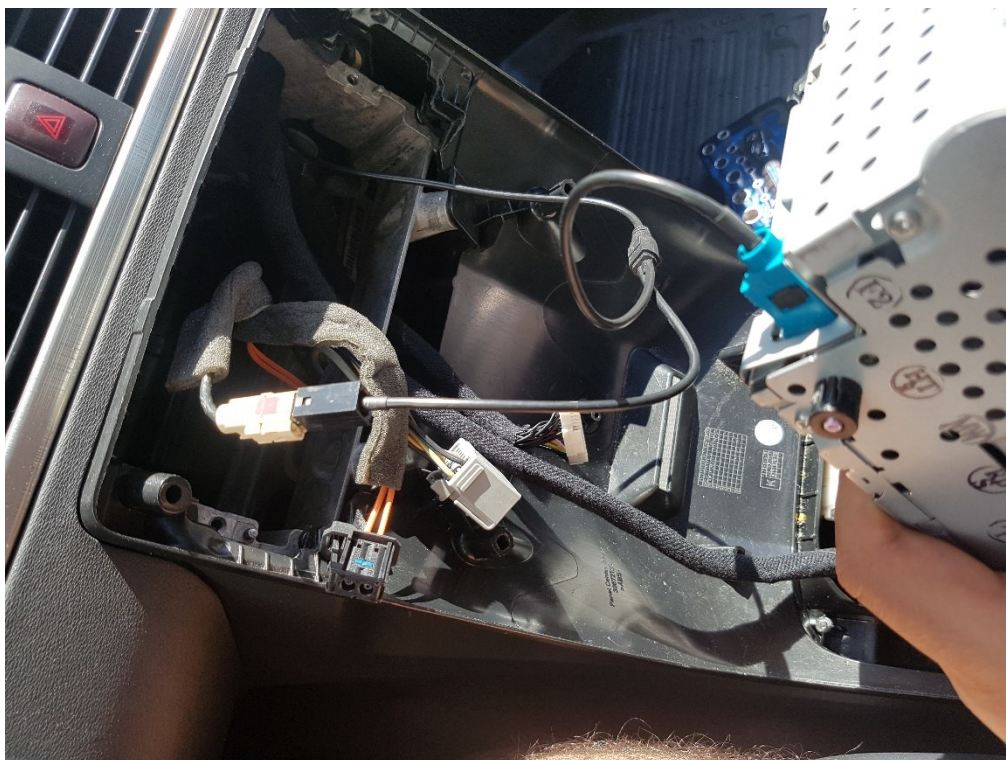
24. Route the 32-pin cable from BLP-950A main unit on the right side behind the CD player gasket as shown on the picture below:



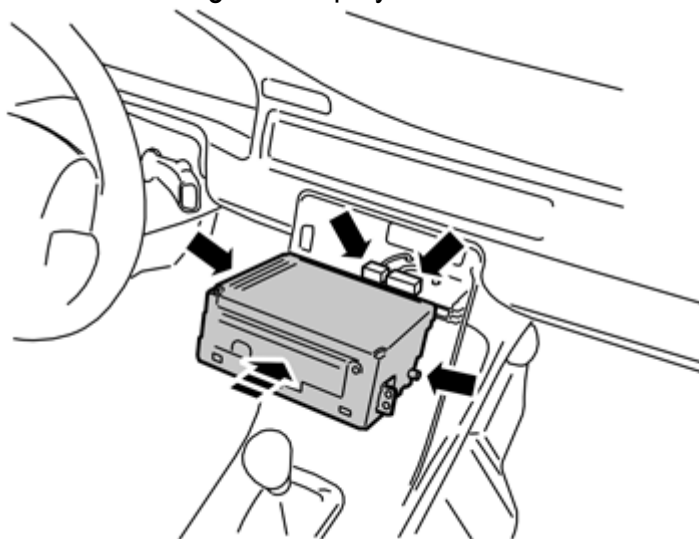
25. Connect the female grey connector from main harness from the kit to the corresponding male connector in your car and the male connector from main harness to your original CD. Connect the optical cable back to your OEM CD player.



26. Connect radio antenna T-cable from BLP-950A box between the antenna plug and your OEM CD player.



27. Reinstall the original CD player.

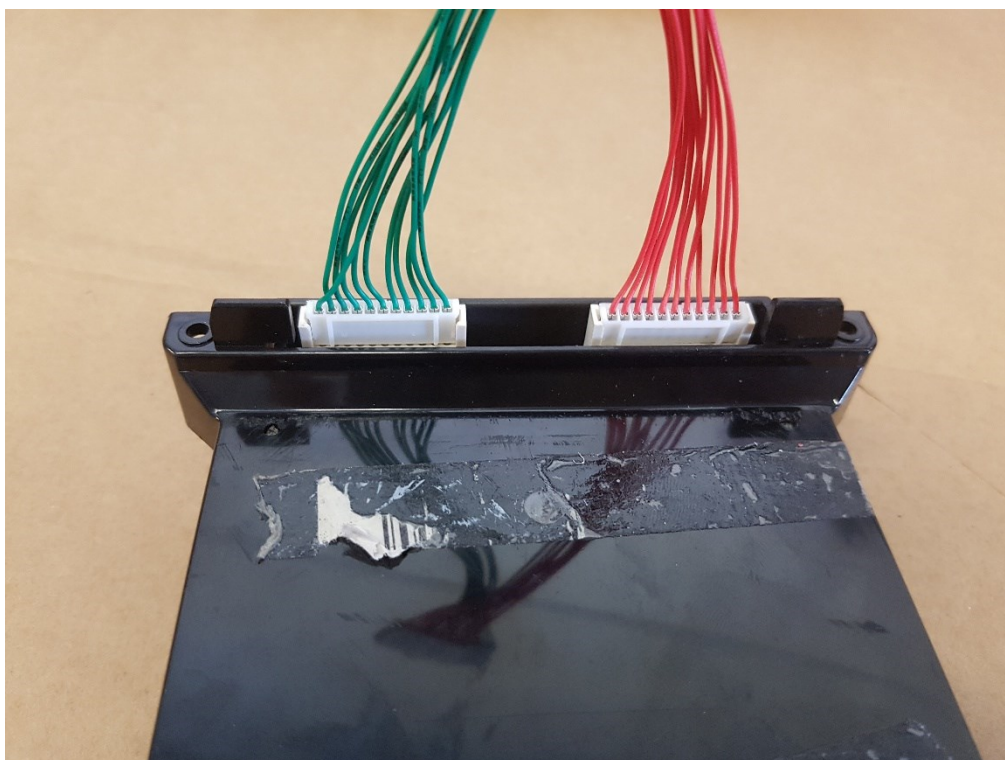


28. Remove the graphical LCD from the ICM panel and reinstall the cover to the ICM board.

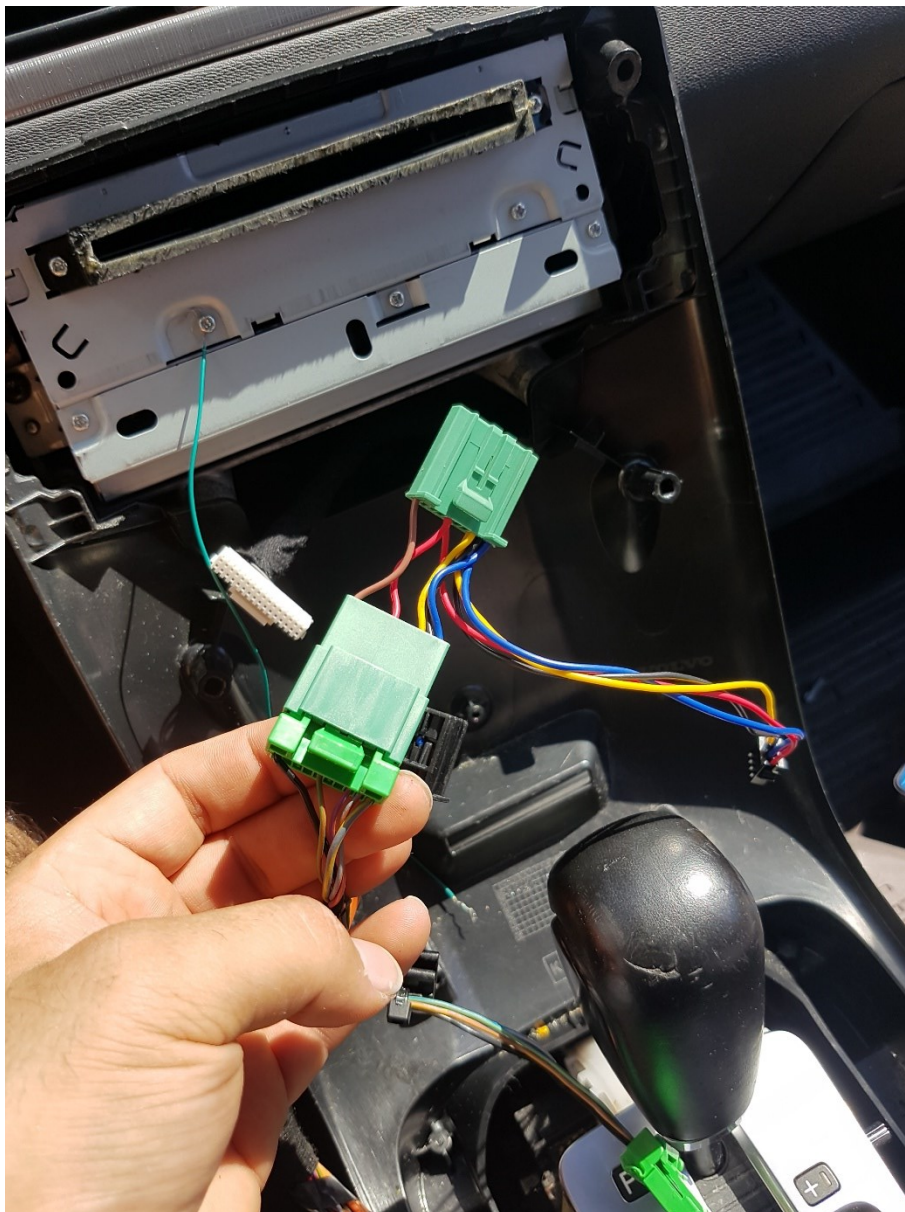




29. Install the red and green ICM cables according to the picture below.
IMPORTANT! GREEN harness to the left ICM connector and RED harness to the right ICM connector, exactly as shown on the picture below.



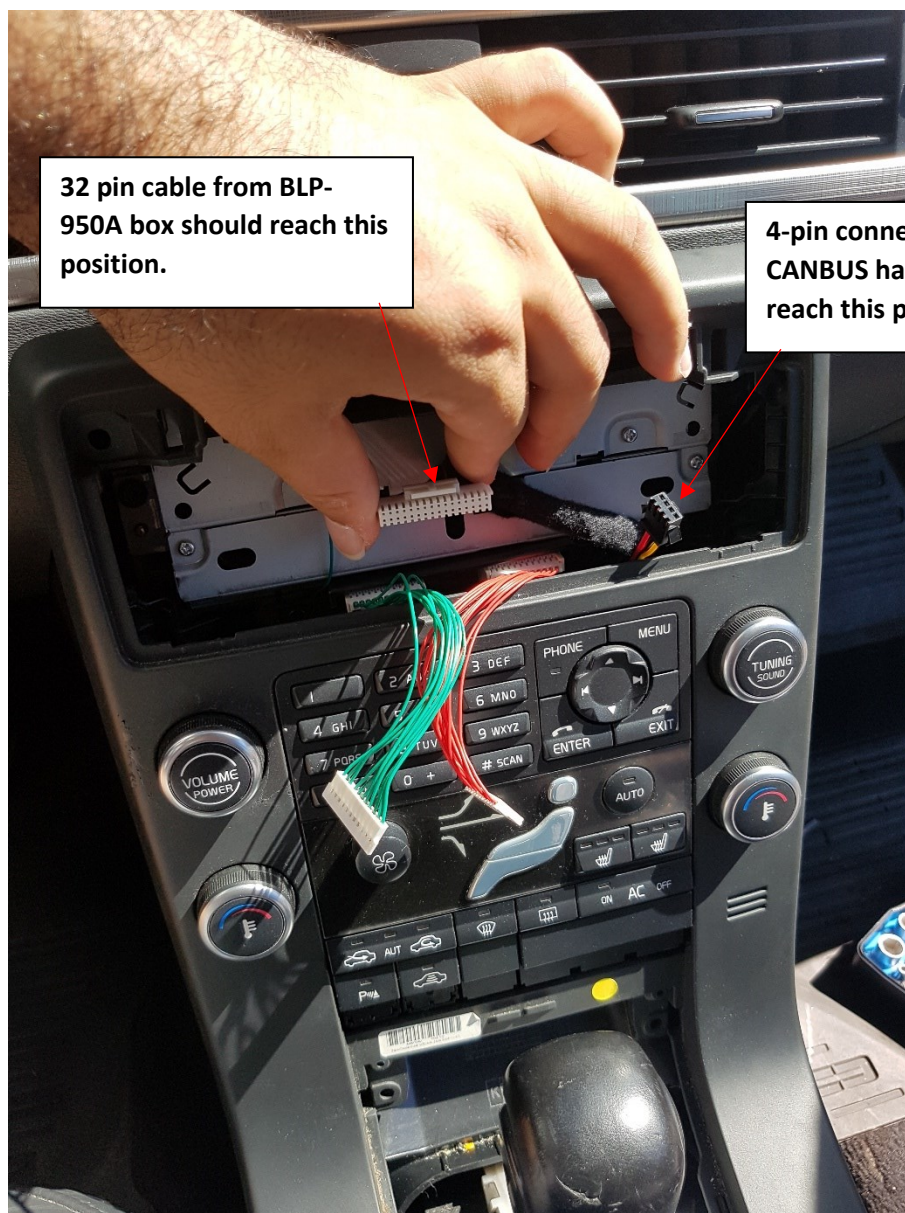
30. Connect the CANBUS harness with the CCM harness.



31. Install ICM panel (use double-sided tape to fasten with waterfall dash)



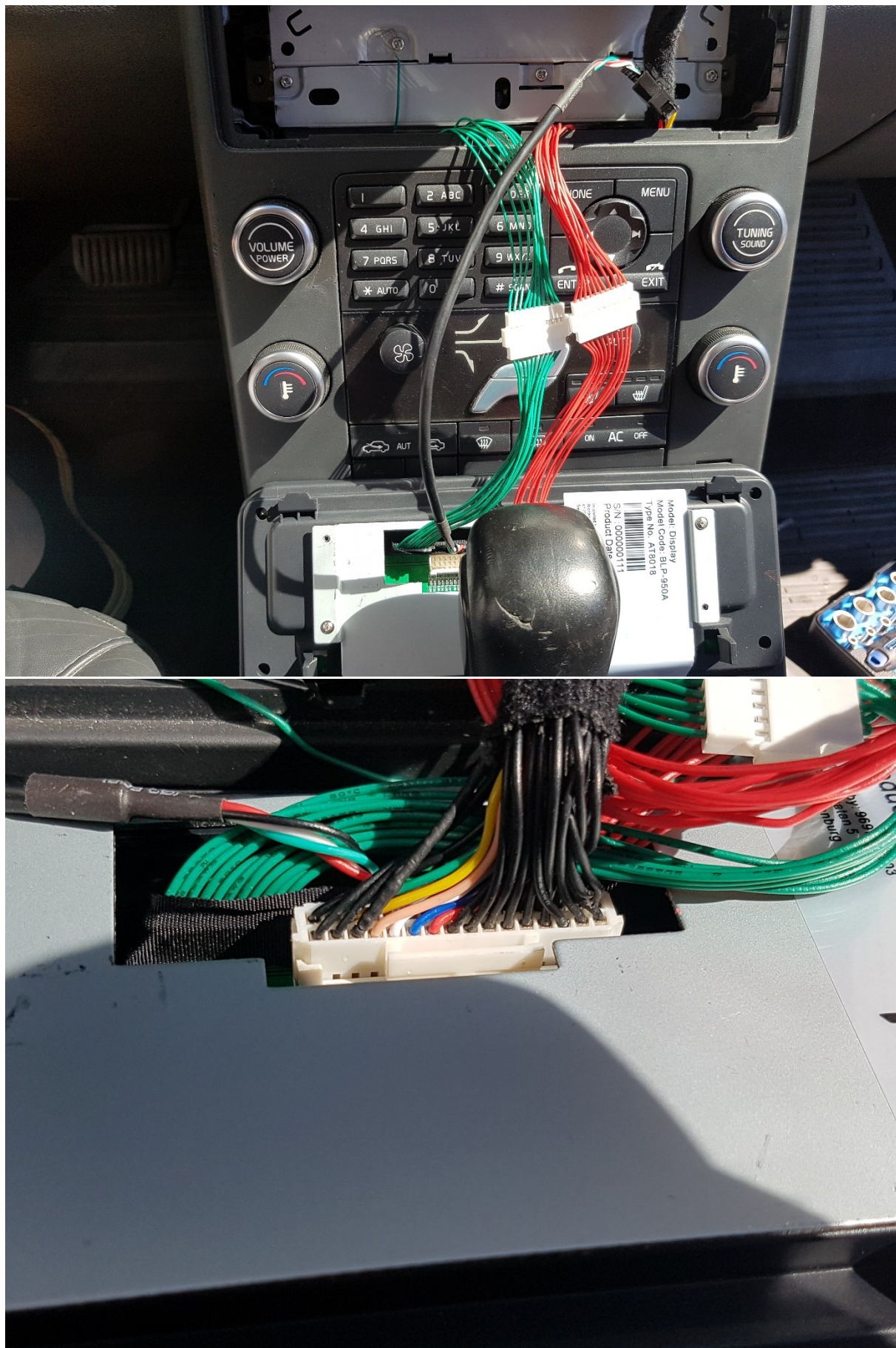
32. Re-install the center console in reverse order. Route the 4-pin cable from CANBUS harness according to the position below. Make sure the 32-pin cable from BLP-995 main box unit can reach the middle area under the CD player, as shown on the picture below. Make sure that the RED and GREEN cables from ICM board are connected as shown on the picture below:



33. Reinstall and fasten the waterfall dash in reverse order.

34. Install all the cables to the BLP-950A!

IMPORTANT! DO NOT INSTALL THE BLP-950A DISPLAY TO THE WATERFALL DASH YET! BLP-950A display should only install to the waterfall dash once you have tested all functions are working and that you are happy with the purchase. Once BLP-950A display installed to the waterfall dash it is there to stay.



35. Reinstall the battery's negative cable
36. Turn on the car and test that everything is working, and that you are happy with the purchase, do not install the BLP-950A display to your waterfall dash until you are assured that everything is working, and you are happy with the purchase.
37. Install the BLP-950 LCD panel into the waterfall dash and installation is completed.

BLP-950A Display buttons functions:

Performance Audio system:

CD => Switches between sources on BLP-950A
 EJECT => LCD brightness level change between three modes
 FM => Switches to FM source on BLP-950A
 AM => Switches to AM source on BLP-950A
 MODE => OEM function

Other than Performance Audio System:

CD => Switches between sources on BLP-950A
 EJECT => LCD brightness level change between three modes
 FM => Switches to FM source on OEM unit
 AM => Switches to AM source on OEM unit
 MODE => OEM function

Accessory Harness (A)

USB	>	USB port 2
USB	>	USB port 3
USB	>	USB port 4
UART1-tx	>	Do not connect this cable and it should not be used
UART1-rx	>	Do not connect this cable and it should not be used
Batt+12V	>	+12V constant power output.
Green Wire	>	Do not connect this cable
TV-IN	>	DVB-T video input from DVB-T box

Accessory Harness (B)

USB	>	USB 1 PORT
BRAKE	>	DO NO CONNECT THIS CABLE

CCD 12V	>	+12V For the rear camera
MIC	>	MIC port for the microphone.
CAM VIN	>	Camera video input

Accessory Harness (C)

Amp	>	Remote signal for external amplifier.
Ir	>	Do not use or connect this cable
FL	>	Front left audio output
FR	>	Front right audio output
RL	>	Rear left audio output
RR	>	Rear right audio output
SUB	>	Subwoofer output
AUX in L	>	Left audio input for AUX
AUX in R	>	Right audio input for AUX
V out 1	>	Video output for external display 1
V out 2	>	Video output for external display 2
DVR vi in	>	Front camera video input for DVR function (inbuilt)

